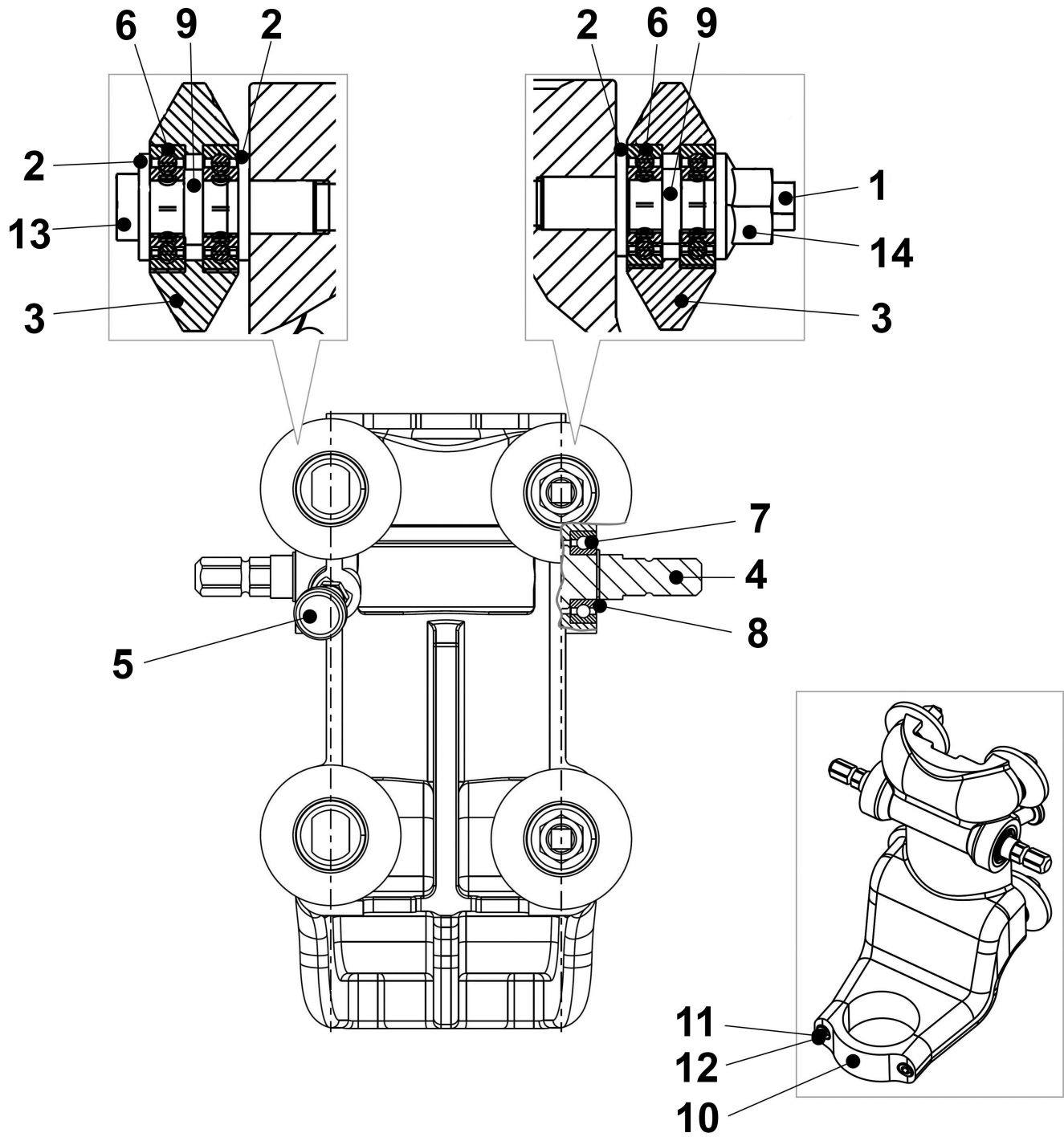


RODIACUT 130 PRO D
No. 1000000088

dated: 07/16

Item no.	Description	Article no.	Quantity
1	Dowel base RC 130 PRO	1500000430	1
3	Anti-vibration washer M8	FF50913	2
4	Cylinder head screw M8x65 DIN 912 galv.	L81512	1
5	Cylinder head screw M8x60 DIN 912 galv.	L81530	1
6	Hexagon nut M8 DIN 985	H88502	2
7	Gear rack	1500000432	1
8	Anti-vibration washer M6	FF50912	4
9	Cylinder head screw M6x40 DIN 912 galv.	86852	3
10	Handle	1500000433	1
11	Cylinder head screw M6x50 DIN 6912	1500000434	1
12	Hexagon nut M12 DIN 934 galv.	FF54822	1
13	Circular level	F85611	1
14	Hexagon screw M12x60 DIN 933 galv.	1500000435	4
15	Label size 3	1500000436	1
16	Feed casing cpl.	1500000437	1
17	Heading arm cpl.	1500000438	1

IMPORTANT! To assure safety and reliability, repairs, maintenance and adjustment must be performed by ROTHENBERGER Kelkheim or authorized Service-Centers. Always use Original-Service-Parts. Order your accessories and spare parts from your specialist retailer or using our Service After Sales hotline



Feed casing complete

No. 1500000437

dated: 07/16

Item no.	Description	Article no.	Quantity
1	Excentric bolt	2	FF50878
2	Washer	6	FF50914
3	Guidance roll	4	FF50875
4	Feed shaft	1	FF50936
5	Fixing pin	1	FF50889
6	Ball bearing	8	N60012RS
7	Ball bearing	2	N60032
8	Cir clip 17	2	H81205
9	Spacer ring	4	FF50876
10	Collard bracket	1	FF50918
11	Hexagon socket head screw M8x30	2	H88400
12	Lock washer M8	2	FF50913
13	Bolt	2	FF50877
14	Nut M12x1,5	2	FF50901

IMPORTANT! To assure safety and reliability, repairs, maintenance and adjustment must be performed by ROTHENBERGER Kelkheim or authorized Service-Centers. Always use Original-Service-Parts. Order your accessories and spare parts from your specialist retailer or using our Service After Sales hotline