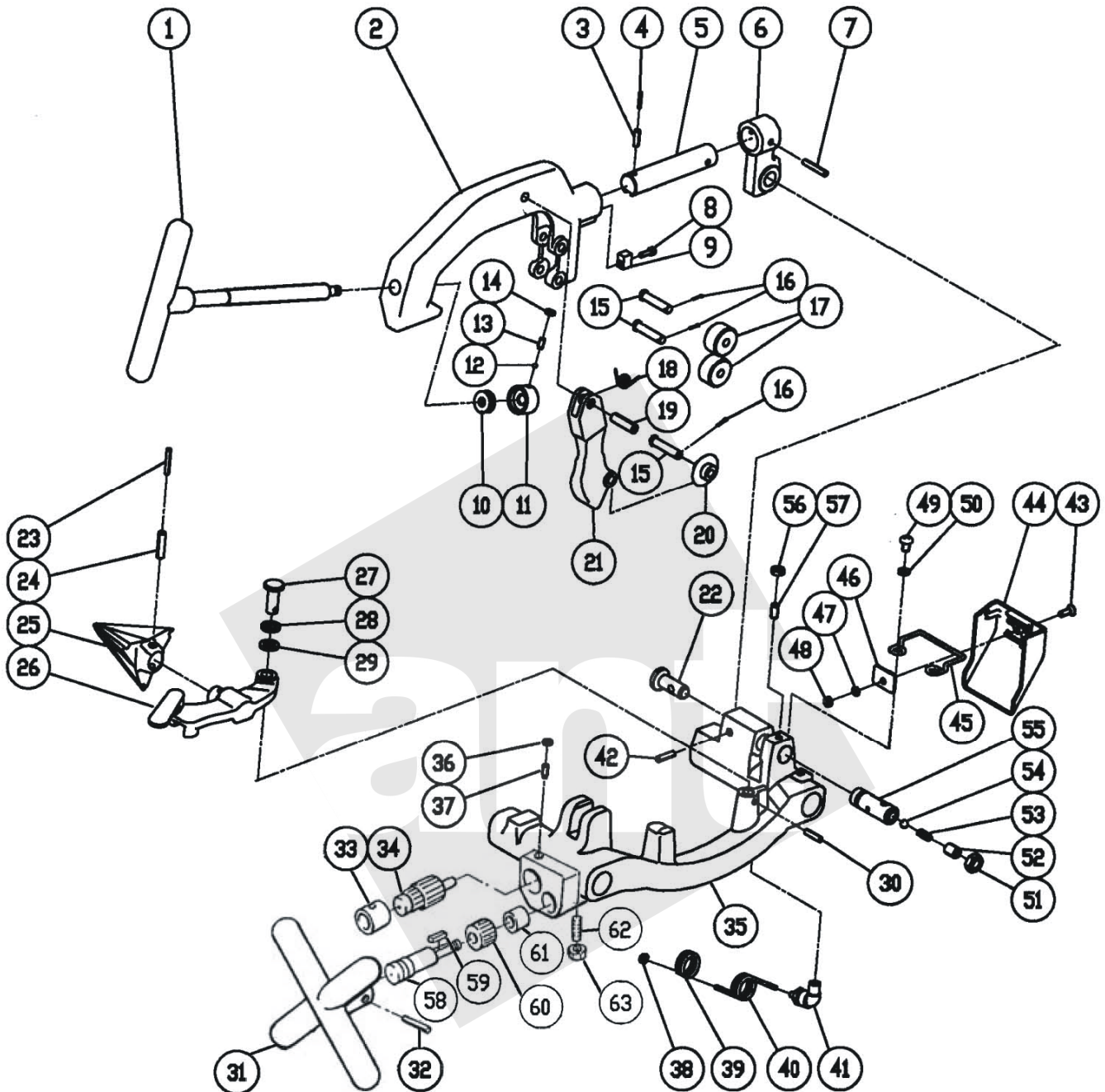
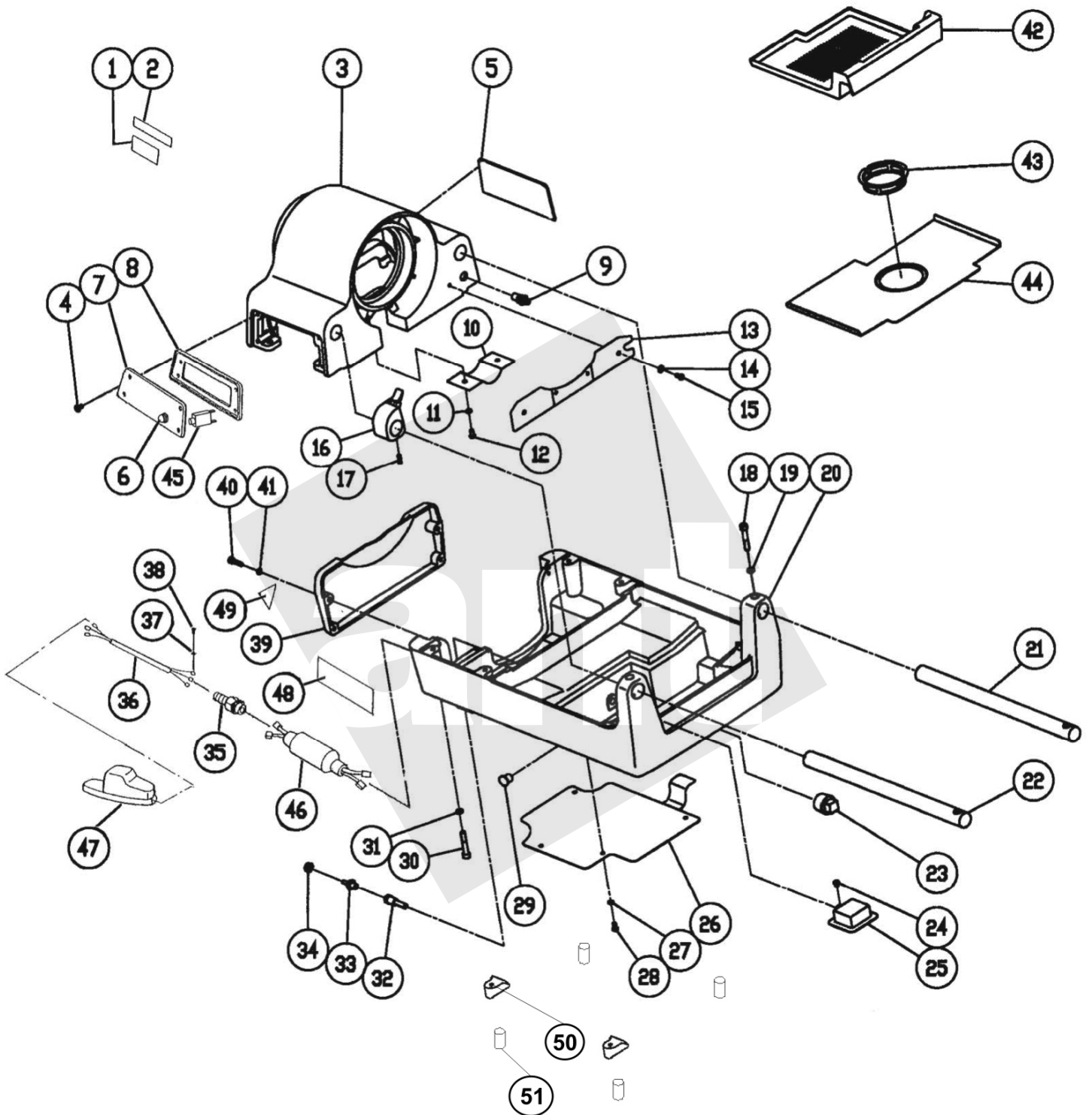


## Rohrabschneider, Arbeitsschlitten, Entgrater / pipe cutter, carriage and reamer



| Nr. / No. | Bezeichnung                          | Description                          | Menge / Qty. | Art.-Nr / No. |
|-----------|--------------------------------------|--------------------------------------|--------------|---------------|
| Set       | Rohrabschneider kpl. (Pos. 1-22, 42) | pipe cutter assembly (Pos. 1-22, 42) | 1            | 8.1724        |
| 1         | Handrad mit Spindel                  | cutter handle                        | 1            | 8.1725        |
| 2         | Rohrabschneiderkörper                | cutter body                          | 1            | 8.1609        |
| 3         | Spannstift 6x20                      | spring pin 6x20L                     | 1            | 8.4191        |
| 4         | Spannstift 3,5x20                    | spring pin 3.5x20L                   | 1            | 8.1607        |
| 5         | Bolzen, Rohrabschneider              | cutter guide bar                     | 1            | 8.1610        |
| 6         | Halter, Rohrabschneider              | cutter bracket                       | 1            | 8.1611        |
| 7         | Spannstift 6x36                      | spring pin 6x36L                     | 1            | 8.5778        |
| 8         | Inbusschraube M5x15                  | hex socket bolt M5x15L               | 1            | 8.5862        |
| 9         | Führungsklotz                        | cutter key                           | 1            | 8.5861        |
| 10        | Drucklager 51100                     | thrust bearing 51100                 | 1            | 8.8067        |

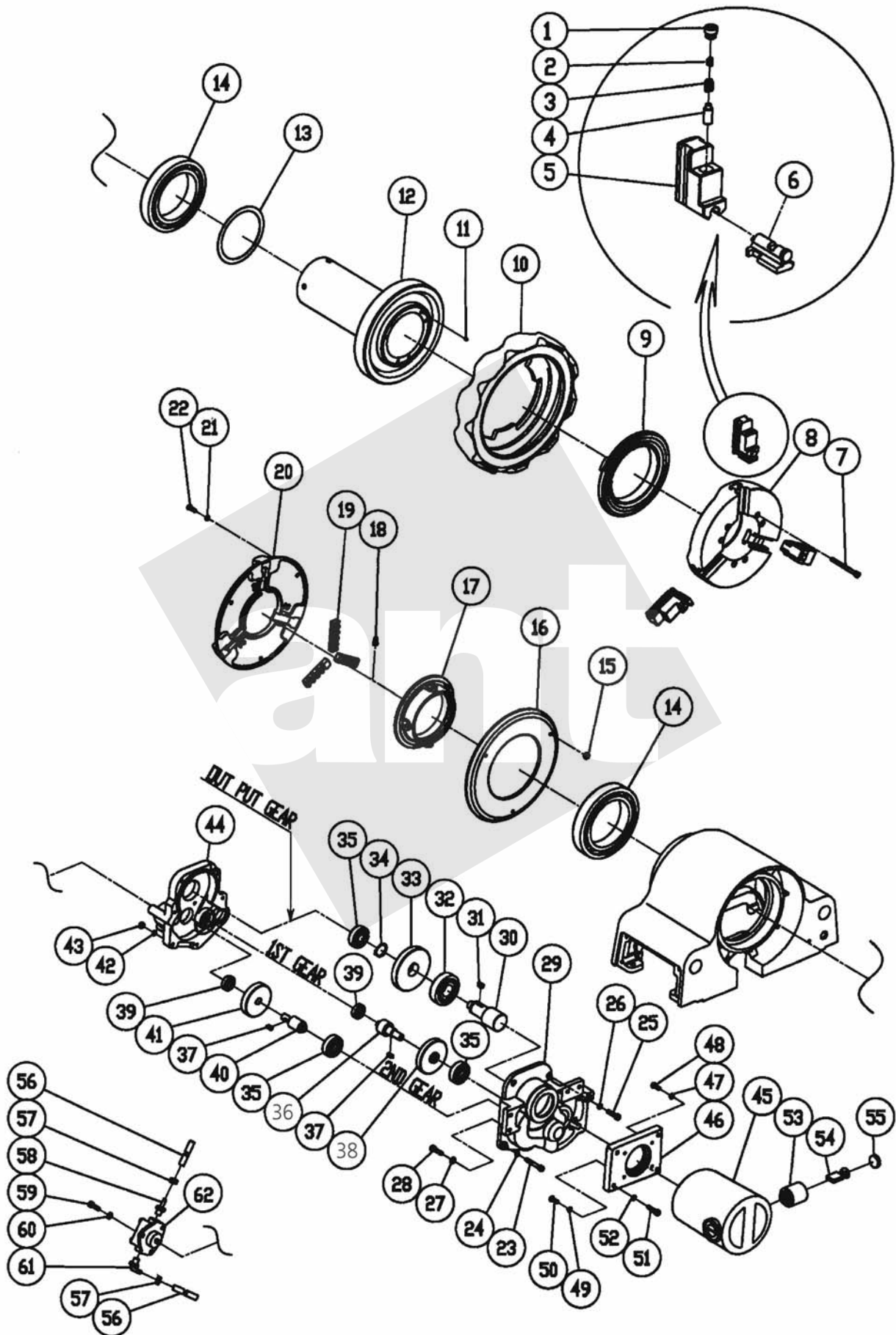
|     |                                       |                                   |   |         |
|-----|---------------------------------------|-----------------------------------|---|---------|
| 11  | Druckhülse                            | feed screw head                   | 1 | 8.3396  |
| 12  | Stahlkugel 3/16"                      | steel ball 3/16"                  | 1 | 8.3485  |
| 13  | Stiftschraube M6x12                   | hex socket set bolt M6x12L        | 1 | 8.3510  |
| 14  | Sechskantmutter M6                    | hex nut M6                        | 1 | 8.4169  |
| 15  | Gleitbolzen, Schneidrad / Druckrollen | cutter blade set pin              | 3 | 8.3308  |
| 16  | Splint 2x15                           | split pin 2x15L                   | 3 | 8.3754  |
| 17  | Druckrollen                           | cutter roller                     | 2 | 8.3156  |
| 18  | Schenkelfeder                         | bracket spring                    | 1 | 8.3752  |
| 19  | Spannstift 10x36                      | spring pin 10x36L                 | 1 | 8.5757  |
| 20  | Schneidrad Spezial Stahl              | cutter blade NO3                  | 1 | 7.0074  |
| 21  | Schneidradhalter                      | cutter blade holder               | 1 | 8.5794  |
| 22  | Bolzen, Rohrabschneider               | cutter pin                        | 1 | 8.1618  |
| Set | Entgrater kpl. (Pos. 23-30)           | reamer assembly (pos. 23-30)      | 1 | 8.1727  |
| 23  | Spannstift 5x32                       | spring pin 5x32L                  | 1 | 8.1619  |
| 24  | Spannstift 8x32                       | spring pin 8x32L                  | 1 | 8.5791  |
| 25  | Entgraterkopf                         | reamer blade                      | 1 | 5.6198  |
| 26  | Entgraterarm                          | reamer holder                     | 1 | 8.1728  |
| 27  | Befestigungsbolzen, Entgrater         | holder pin                        | 1 | 8.5788  |
| 28  | Federring 12                          | spring washer M12                 | 1 | 8.5789  |
| 29  | U-Scheibe 12                          | plain washer S M12                | 1 | 8.5790  |
| 30  | Spannstift 6x24                       | spring pin 6x24L                  | 1 | 8.6876  |
| Set | Handrad kpl. (Pos. 31-34)             | rack handle complete (pos. 31-34) | 1 | 8.1630  |
| 31  | Handrad                               | rack handle                       | 1 | 8.1631  |
| 32  | Spannstift 6x40                       | spring pin 6x40L                  | 1 | 8.5916  |
| 33  | Hülse                                 | pinion metal                      | 1 | 8.5875  |
| 34  | Zahnwelle                             | rack pinion                       | 1 | 8.4121  |
| 35  | Arbeitsschlitten                      | carriage                          | 1 | 8.1635  |
| 36  | Sechskantmutter M6                    | hex nut M6                        | 1 | 8.4169  |
| 37  | Stiftschraube M6x22                   | hex socket set bolt M6x22L        | 1 | 8.6871  |
| 38  | Federstopper                          | binding band                      | 1 | 8.3846  |
| 39  | Schutzfeder                           | protect spring                    | 1 | 8.1639  |
| 40  | Ölschlauch NL06-10                    | urethane coiling tube NL06-10     | 1 | 8.1640  |
| 41  | Winkelstück L4N6x4-PT1/4              | elbow L4N6x4-PT1/4                | 1 | 8.1641  |
| 42  | Spannstift 8x32                       | spring pin 8x32L                  | 1 | 8.5791  |
| 43  | Schraube M6x15                        | flat head screw M6x15L (Parker)   | 1 | 8.1642  |
| 44  | Spritzschutz                          | splash protection plate           | 1 | 8.1644  |
| 45  | Spritzschutzhalter                    | splash protection plate holder    | 1 | 8.1645  |
| 46  | U-Platte                              | holder plate                      | 1 | 8.6899  |
| 47  | Federring 6                           | spring washer CM6                 | 1 | 8.1621  |
| 48  | Sechskantmutter 6                     | hex nut M6                        | 1 | 8.4169  |
| 49  | Schraube M8x12                        | pan head screw M8x12L             | 2 | 8.1624  |
| 50  | Federring 8                           | spring washer CM8                 | 2 | 8.1625  |
| 51  | Sechskantmutter M12                   | hex nut M12                       | 1 | 8.1032  |
| 52  | Öl- Einstellschraube                  | oil adjust screw                  | 1 | 8.6783  |
| 53  | Feder, Öleinstellung                  | oil adjust spring                 | 1 | 8.3327  |
| 54  | Stahlkugel 5/16"                      | steel ball 5/16                   | 1 | 8.5805  |
| 55  | Haltebolzen, Schneidkopf              | die head, set pin                 | 1 | 8.5886  |
| 56  | Sechskantmutter M8                    | hex nut M8                        | 1 | 8.3789  |
| 57  | Stiftschraube M8x15                   | hex socket set bolt M8x15L        | 1 | FF54352 |
| 58  | Ritzelwelle                           | Pinion Shaft                      | 1 | 8.7020  |
| 59  | Passfeder 5x5x23L                     | Parallel Key 5x5x23L              | 1 | 8.7019  |
| 60  | Zahnrad                               | Rack Gear                         | 1 | 8.7018  |
| 61  | Metallwelle                           | Shaft Metal                       | 1 | 8.7017  |
| 62  | Gewindebolzen M6x22L                  | Hex Socket Set Bolt M6x22L        | 1 | 8.6871  |
| 63  | Sechskantmutter M6                    | Hex Nut M6                        | 1 | 8.4169  |



## Gehäuse / frame, spindle case

| Nr. / No. | Bezeichnung                   | Description                   | Menge / Qty. | Art.-Nr. / No. |
|-----------|-------------------------------|-------------------------------|--------------|----------------|
| 1         | Warnaufkleber                 | Caution Sticker RO            | 1            | 087080         |
| 2         | Warnschild                    | Caution plate RO              | 1            | 087081         |
| 3         | Spindelgehäuse                | spindle case                  | 1            | 8.1632         |
| 4         | Schraube M6x10                | flat head screw M6x10L        | 8            | 8.1633         |
| 5         | Typenschild                   | machine plate                 | 1            | 8.1636         |
| 6*        | Thermorelais Deckel           | Thermal Relay Cap             | 1            | 087109         |
| 7         | Schalterplatte                | switch plate                  | 1            | 8.1637         |
| 8         | Schalter BEH2302              | switch BEH2302                | 1            | 8.1638         |
| 9         | Schraubnippel C4N6x4-PT1/4    | connector C4N6x4-PT1/4        | 1            | 8.1643         |
| 10        | Abdeckblech                   | gear cover                    | 1            | 8.1647         |
| 11        | Federring 6                   | spring washer CM6             | 2            | 8.1621         |
| 12        | Schraube M6x12                | pan head screw M6x12L         | 2            | 8.1648         |
| 13        | Schutzblech                   | oil cover                     | 1            | 8.1651         |
| 14        | Federring 6                   | spring washer CM6             | 4            | 8.1621         |
| 15        | Schraube M6x12                | pan head screw M6x12L         | 4            | 8.1648         |
| 16        | Anschlag                      | outer ring spacer             | 1            | 8.1652         |
| 17        | Schraube M6x6                 | hex socket set bolt M6x6L     | 1            | 8.5932         |
| 18        | Schraube M8x45                | hex socket bolt M8x45L        | 2            | 8.5979         |
| 19        | Federring 8                   | spring washer CM8             | 2            | 8.1625         |
| 20        | Gehäuseunterteil              | frame                         | 1            | 8.1654         |
| 21        | Gleitstange, hinten           | guide bar R                   | 1            | 8.1655         |
| 22        | Gleitstange, vorne            | guide bar F                   | 1            | 8.1659         |
| 23        | Ölablassschraube 1/2 "        | plug 1/2 "                    | 1            | 8.3228         |
| 24        | Schraube M6x12                | pan head screw M6x12L         | 1            | 8.1648         |
| 25        | Ölfilter                      | filter                        | 1            | 8.4188         |
| 26        | Bodenplatte                   | frame under cover             | 1            | 8.1662         |
| 27        | Federring 6                   | spring washer CM6             | 4            | 8.1621         |
| 28        | Schraube M6x10                | hexagon head bolt M6x10L      | 4            | 8.1663         |
| 29        | Blindstopfen DP-562           | hole cap DP-562               | 2            | 8.1664         |
| 30        | Schraube M8x50                | hex socket bolt M8x50L        | 4            | 8.1665         |
| 31        | Federring 8                   | spring washer CM8             | 4            | 8.1625         |
| 32        | Ansaugnippel                  | suction pipe                  | 1            | 8.1666         |
| 33        | Schraubnippel GES8xPT1/4      | connector GES8xPT1/4          | 1            | 8.1658         |
| 34        | Schlauchklemme 12             | hose clamp 12                 | 1            | 8.1657         |
| 35        | Kabelverschraubung            | cord connector OA-W1611       | 1            | 8.6902         |
| 36        | Netzkabel 100V-120V           | power cord 100V-120V          | 1            | 8.1667         |
| 37        | Zahnscheibe 6                 | tooth look washer M6          | 1            | 8.1668         |
| 38        | Schraube M6x8                 | pan head screw M6x8L          | 1            | 8.1669         |
| 39        | Motorabdeckung                | pump cover                    | 1            | 8.1670         |
| 40        | Schraube M6x20                | hex socket bolt M6x20L        | 4            | 8.3782         |
| 41        | Federring 6                   | spring washer CM6             | 4            | 8.1621         |
| 42        | Spänewanne                    | chip pan                      | 1            | 8.1671         |
| 43        | Ölsieb                        | strainer                      | 1            | 8.3364         |
| 44        | Ölwannendeckel                | oil tank lid                  | 1            | 8.1672         |
| 45*       | Thermorelais 106-P10-6A       | Thermal Relay 106-P10-6A      | 1            | 8.7107         |
| 46*       | CE Spul. Kondensator kmp.230V | CE-Coil Capacitor Comp. 230V  | 1            | 8.7108         |
| 47        | Fußschalter RO                | Foot Switch RO                | 1            | 56335          |
| 48        | Rothenb. Aufkleber            | ROTHEN rogo seal              | 1            | 8.7104         |
| 49        | Warnaufkleber RO              | Warning Sticker RO            | 1            | 8.7105         |
| 50        | Klemmschale Standfuss         | Clamping foot                 | 4            | 1500000274     |
| 51        | Standfüße (Inhalt 4 Stück)    | Stand feet (content 4 pieces) | 1            | 56049          |

Spannfutter, Arbeitsspindel / hammer chuck, scroll and gears



## Spannfutter, Arbeitsspindel / hammer chuck, scroll and gears

| Nr. / No. | Bezeichnung                         | Description                       | Menge / Qty. | Art.-Nr. / No. |
|-----------|-------------------------------------|-----------------------------------|--------------|----------------|
| Set       | Schnellspannfutter kpl. (Pos. 1-10) | hammer chuck complete (pos. 1-10) | 1            | 8.1600         |
| Set       | Spannbackensatz (Pos. 1-6)          | jaw set assembly (pos. 1-6)       | 1set         | 8.1719         |
| Set       | Spannbackeneinsatz (Pos. 2-4, 6)    | jaw insert set (pos. 2-4, 6)      | 1set         | 5.6176         |
| 1         | Spannbackenschraube                 | hammer chuck bolt                 | 3            | 8.1601         |
| 2         | Spannbackenfeder B                  | hammer chuck spring B             | 3            | 8.1602         |
| 3         | Spannbackenfeder A                  | hammer chuck spring A             | 3            | 8.1603         |
| 4         | Spannbackenstift                    | hammer chuck pin                  | 3            | 8.1604         |
| 5         | Spannbackengrundkörper (3 Stück)    | hammer chuck jaw assembly         | 1set         | 8.1605         |
| 6         | Spannbackeneinsatz (3 Stück)        | jaw insert complete               | 1set         | 8.1720         |
| 7         | Schraube M6x70                      | hex socket bolt M6x55L            | 6            | 8.8469         |
| 8         | Spannfuttergrundkörper              | hammer chuck body                 | 1            | 8.1608         |
| 9         | Schneckenring, vorne                | hammer chuck scroll               | 1            | 8.3701         |
| 10        | Schlagring                          | hammer chuck outer ring           | 1            | 8.5827         |
| 11        | Druckfeder                          | pre-load spring                   | 6            | 8.5823         |
| 12        | Arbeitsspindel kpl.                 | spindle gear complete             | 1            | 8.1612         |
| 13        | Druckring                           | thrust plate                      | 1            | 8.5821         |
| 14        | Kugellager 6015 2RS                 | ball bearing 6015 2RS             | 2            | 8.1614         |
| Set       | Zentrierfutter kpl. (Pos. 15-22)    | scroll assembly (pos. 15-22)      | 1            | 8.1722         |
| 15        | Sechskantmutter M6                  | hex nut M6                        | 3            | 8.4169         |
| 16        | Zentrierfutterdeckel, innen         | scroll cap                        | 1            | 8.1616         |
| 17        | Schneckenring, Zentrierfutter       | scroll                            | 1            | 8.1617         |
| 18        | Schraube, Zentrierfutter            | scroll stop bolt                  | 4            | 8.6929         |
| 19        | Zentrierbacken (3 Stück)            | scroll jaw set                    | 1set         | 8.3703         |
| 20        | Zentrierfutterdeckel, außen         | scroll body                       | 1            | 8.1723         |
| 21        | Federring 6                         | spring washer CM6                 | 3            | 8.1621         |
| 22        | Schraube M6x18                      | pan head screw M6x18L             | 3            | 8.1622         |
| Set       | Getriebe kpl.                       | drive complete                    | 1set         | 8.1620         |
| 23        | Schraube M6x40                      | hex socket bolt M6x40L            | 1            | 8.1623         |
| 24        | Federring 6                         | spring washer CM6                 | 1            | 8.1621         |
| 25        | Schraube M6x25                      | hex socket bolt M6x25L            | 5            | H98368         |
| 26        | Federring 6                         | spring washer CM6                 | 5            | 8.1621         |
| 27        | Federring 6                         | spring washer CM6                 | 4            | 8.1621         |
| 28        | Schraube M6x25                      | hex socket bolt M6x25L            | 4            | H98368         |
| 29        | Getriebedeckel, vorne               | gear box                          | 1            | 8.1760         |
| 30        | Getriebewelle                       | output shaft pinion               | 1            | 8.1761         |
| 31        | Passfeder 6x6x13                    | key 6x6x13                        | 1            | 8.3344         |
| 32        | Kugellager 6304 ZZ                  | ball bearing 6304 ZZ              | 1            | 8.1762         |
| 33        | Zahnrad                             | output shaft reduction gear       | 1            | 8.1763         |
| 34        | Sicherungsring 20                   | C snap ring S-20                  | 1            | 8.1764         |
| 35        | Kugellager 6201 ZZ                  | ball bearing 6201ZZ               | 3            | 8.5902         |
| 36        | Getriebewelle                       | 1st shaft pinion                  | 1            | 8.1765         |
| 37        | Passfeder 5x5x13                    | key 5x5x13                        | 2            | 8.3189         |
| 38        | Zahnrad                             | 1st shaft reduction gear          | 1            | 8.1767         |
| 39        | Kugellager 6301 ZZ                  | ball bearing 6301ZZ               | 2            | 8.6950         |
| 40        | Zahnrad                             | 2nd shaft reduction gear          | 1            | 8.1709         |
| 41        | Getriebewelle                       | 2nd shaft pinion                  | 1            | 8.1710         |
| 42        | Federring 6                         | spring washer CM6                 | 1            | 8.1621         |
| 43        | Mutter M6                           | U-nut M6                          | 1            | 8.1711         |
| 44        | Getriebedeckel, hinten              | gear box cover                    | 1            | 8.1712         |
| 45        | Motor 100V                          | motor 100V                        | 1            | 8.1713         |
| 45        | Motor 110V                          | motor 110V                        | 1            | 8.1714         |
| 45        | Motor 230/240V                      | motor 230/240V                    | 1            | 8.1599         |
| 46        | Motoradapterplatte                  | motor adapter                     | 1            | 8.1646         |
| 47        | Federring 5                         | spring washer M5                  | 2            | 8.4094         |
| 48        | Schraube M5x15                      | pan head screw M5x15L             | 2            | 8.5933         |

**ROPOWER 50 R****Nr./No. 5.6050,5.6045****Stand/dated 09/12**

|    |                         |   |      |        |
|----|-------------------------|---|------|--------|
| 49 | Federring 4             | spring washer M4                              | 2    | 8.1649 |
| 50 | Schraube M4x15          | pan head screw M4x15L                         | 2    | 8.1650 |
| 51 | Inbusschraube M6x20     | hex socket bolt M6x20L                        | 4    | 8.3782 |
| 52 | Federring 6             | spring washer CM6                             | 4    | 8.1621 |
| 53 | Kohlenhalter            | carbon holder                                 | 2    | 8.3691 |
| 54 | Kohlenbürste (2 Stück)  | carbon brush                                  | 1set | 8.3689 |
| 55 | Kohlenkappe             | carbon cap                                    | 2    | 8.3693 |
| 56 | Ölschlauch WP15         | urethane hose WP15 in: 300 mm, out:<br>200 mm | 2    | 8.1656 |
| 57 | Schlauchklemme 12       | hose clamp 12                                 | 3    | 8.1657 |
| 58 | Schraubnippel           | connector GES8xPT1/4                          | 2    | 8.1658 |
| 59 | Inbusschraube M6x18     | hex socket bolt M6x18L                        | 3    | 8.3501 |
| 60 | Federring 6             | spring washer CM6                             | 3    | 8.1621 |
| 61 | Winkelnippel WES8xPT1/4 | elbow WES8xPT1/4                              | 1    | 8.1661 |
| 62 | Ölpumpe Top-12A         | oil pump TOP-12A                              | 1    | 8.1717 |

**\* Ab August 2010 ab Serien Nr. 01827****\* From August 2010 from Series No. 01827**

**WICHTIG!** Um die Sicherheit und Zuverlässigkeit des Produktes zu erhalten, dürfen Reparaturen, Überholungs- und Einstellarbeiten nur von ROTHENBERGER, Kelkheim oder autorisierten Service-Werkstätten ausgeführt werden. Verwenden Sie nur Original-Ersatzteile.  
Bestellen Sie Ihre Zubehör und Ersatzteile bei Ihrem Fachhändler oder bei unserer Hotline Service After Sales

**IMPORTANT!** To assure Safety and Reliability, repairs, maintenance and adjustment must be performed by ROTHENBERGER Kelkheim, or authorized Service-Centers, always use Original-Service-Parts.  
Order your accessories and spare parts from your specialist retailer or using our Service After Sales hotline

**Tel.** +49 6195 - 800 **8200****Fax:** +49 6195 - 800 **7491** [service@rothenberger.com](mailto:service@rothenberger.com)